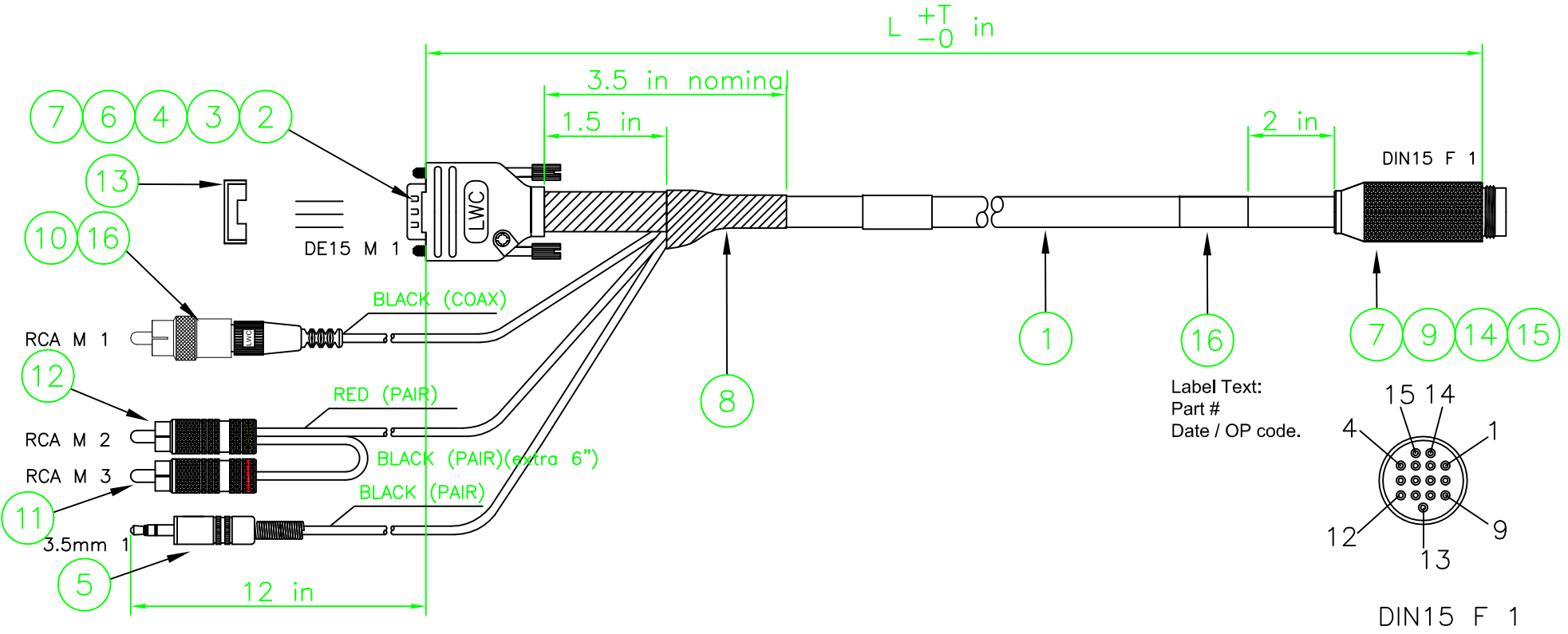
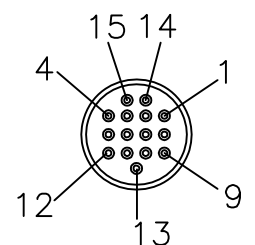


REV	DESCRIPTION	DATE
0	ISSUE	12/20/12



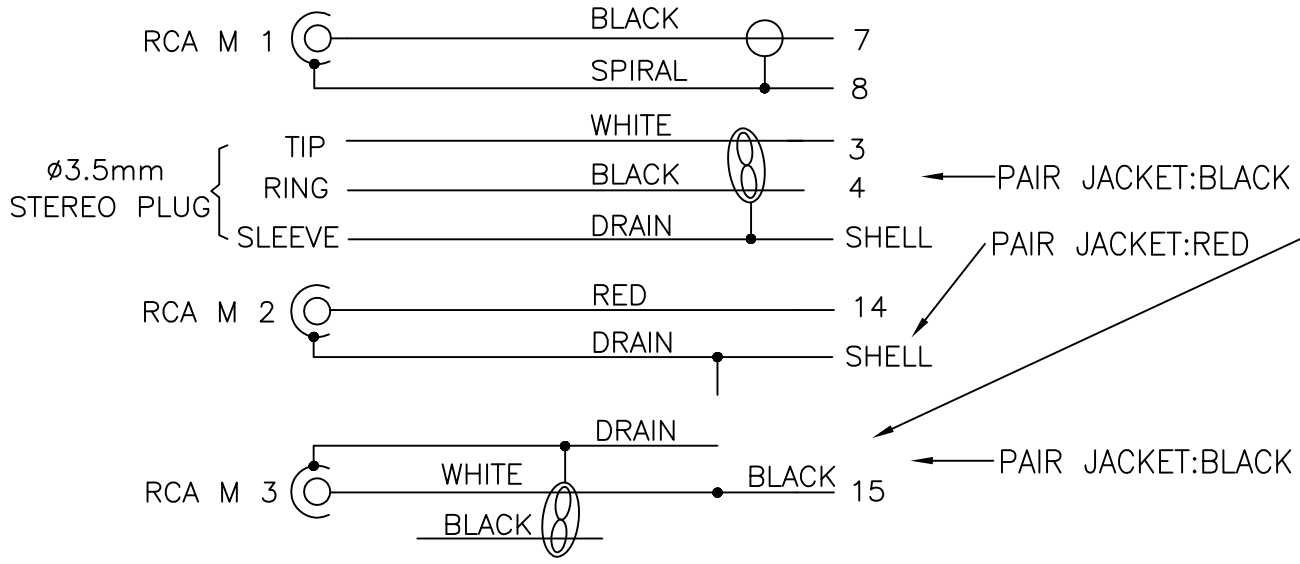
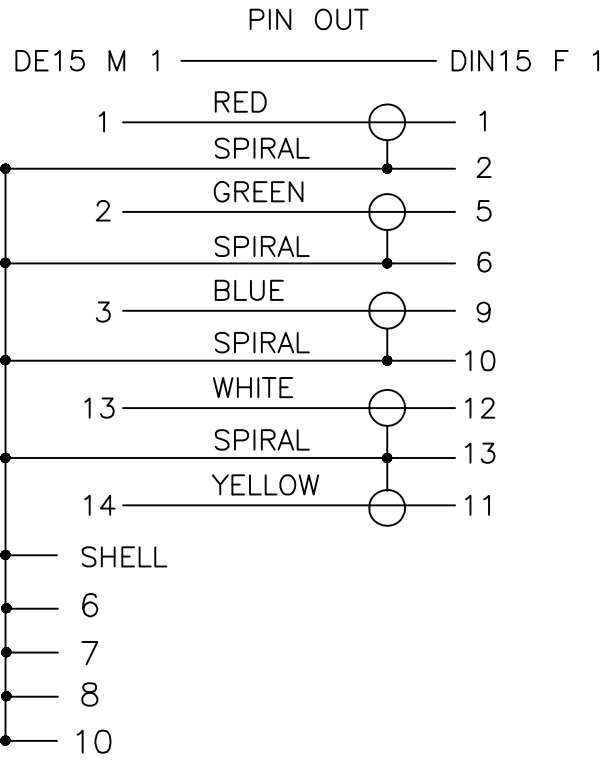
Label Text:
Part #
Date / OP code.



EZ2-2V2A-P-050	15240	150
EZ2-2V2A-P-035	10668	150
P/N.	L(mm)	T(mm)

LIBERTY AV SOLUTIONS		WWW.LIBAV.COM
11675 RIDGELINE DRIVE		(800) 530-8998
COLORADO SPRINGS, CO 80921		
UNIT:mm	TITLE: Assembly Specification CBL, ASY, EZ2-LINK, PLN	
SCALE	None	
UNLESS OTHERWISE SPECIFIED TOLERANCES: x ±.015 xx ±.010 xxx ±.005 ANGLE ± 1°		DR. RP
PART NUMBER: EZ2-2V2A-P-XX		CH. RP
SHEET 1/3	DWG. #: LWC-ASY-00708	AP. RP

REV	DESCRIPTION	DATE
0	ISSUE	12/20/12



Spliced in black jacketed pair for the Left (White) RCA. Black conductor in the pair is not used and is cut off. White conductor is soldered to the Black conductor in the RED pair

LIBERTY AV SOLUTIONS		WWW.LIBAV.COM	
11675 RIDGELINE DRIVE		(800) 530-8998	
COLORADO SPRINGS, CO 80921			
UNIT:mm	TITLE: Assembly Specification CBL, ASY, EZ2-LINK, PLN		
SCALE	None	PART NUMBER: EZ2-2V2A-P-XX	DR. RP
UNLESS OTHERWISE SPECIFIED TOLERANCES: x ±.015 xx ±.010 xxx ±.005 ANGLE ± 1°		CH. RP	
SHEET 2/3	DWG. #: LWC-ASY-00708	AP. RP	

REV	DESCRIPTION	DATE
0	ISSUE	12/20/12

Manufacturing Bill of Materials

17	LAT-19-361-1	1	EA	Label, Self-Laminating
16	BMHR-YEL	1	EA	Boot, BNC/RCA MHR Yellow
15	DI-15F1-04-11	1	EA	EZ2 DIN 15 JACK W/HOUSING
14	EZ-DIN13PF	1	EA	DIN Jack, 13-PIN NKL
13	VGA DUST CAP	1	EA	DE09/15 DUST CAP
12	ZD06-W	1	EA	RCA Plug, Black w/White
11	ZD06-R	1	EA	RCA Plug, Black w/Red
10	MHR-RCA	1	EA	RCA Plug, Black w/Yellow
9	FP-301-3/16BLK	1.5	IN	Heat Shrink, 3/16" 2:1 BLK
8	EPS-200-1/2BLK	5.5	IN	Heat Shrink, 1/2" 2:1 ADH BLK
7	FP-301-3/32BLK	6	IN	Heat Shrink, 3/32" 2:1 BLK
6	130-142	3.3	IN	Copper RF Tape
5	30-484	1	EA	3.5mm Stereo Plug, NKL
4	JUMPER WIRE	1	EA	24 AWG Copper wire 1"
3	MHDTZK9K	1	EA	DE09 Hood, Metal
2	PPEDHS-15P	1	EA	DE15 Plug, Nickel
1	RGB6C/22-2P-PLN	*+18"	FT	ProjectorNet Cable, CMP
Item	P/N	QTY	UOM	DESCRIPTION

LIBERTY AV SOLUTIONS WWW.LIBAV.COM
11675 RIDGELINE DRIVE (800) 530-8998
COLORADO SPRINGS, CO 80921

SCALE	UNIT:mm	TITLE:	DR. RP
	None	Assembly Specification CBL, ASY, EZ2-LINK, PLN	
UNLESS OTHERWISE SPECIFIED TOLERANCES: x ±.015 xx ±.010 xxx ±.005 ANGLE ± 1°	PART NUMBER:		CH. RP
	EZ2-2V2A-P-XX		
SHEET 3/3	DWG. #:	LWC-ASY-00708	AP. RP